



Technical datasheet

PVT10000/IRC



| | |
|-------------------|--|
| Brand | EREA |
| Article Number | PVT10000/IRC |
| EAN-code Barcode | 5414503118486 |
| Code | 11848 |
| Product type | Three-phase transformer - Low inrush current |
| Primary Voltage | 3x 230V Δ -- 3x 400V Y+N |
| Secondary Voltage | 3x 400V Y+N |
| Power | 10.000 VA |
| Standards | EN 61558-2-4 |

General properties

| | | | |
|----------------------|---------------------------------|-----------------------------------|---|
| Applications | For PV installations | Maximum ambient temperature t_a | 40 °C |
| Protection class | Prepared for protection class I | Temperature class transfo | B |
| Degree of protection | IP00 | Finishing | Vacuum- and pressure- varnish impregnated |

Electrical properties

| | | | |
|-------------------------------|--|------------------------------------|---|
| Frequency | 50-60 Hz | Efficiency η (regime) | 97,4 % |
| No-load Loss P_o | 45 W | Full-load losses P_{cu} (regime) | 220 W |
| Dielectric Strenght PRI-SEC | 4500 Vac | Insulation resistance | 200 M Ω |
| Dielectric strength vs. frame | 2500 Vac | Specific property | Primary not connected, secondary star connected |
| Voltage drop ΔU | 2,1 % | Short-circuit voltage U_{cc} | - |
| Recommended fuse PRI | C25A (3x230V Δ) C16A (3x400V Y+N) | Recommended fuse SEC | C16A (3x400V Y+N) |

Mechanical properties

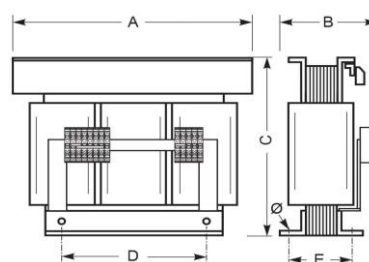
| | |
|----------------------|------------------------------------|
| Primary connection | Push-X Connector 10mm ² |
| Secondary connection | Push-X Connector 10mm ² |
| Fixation | Supports with fixing holes |

Protection case

| | |
|--------------|--------------|
| Housing IP20 | K20PVT/010 |
| Housing IP23 | K23PVT/010 |
| Housing IP44 | K44EI400/010 |

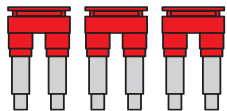
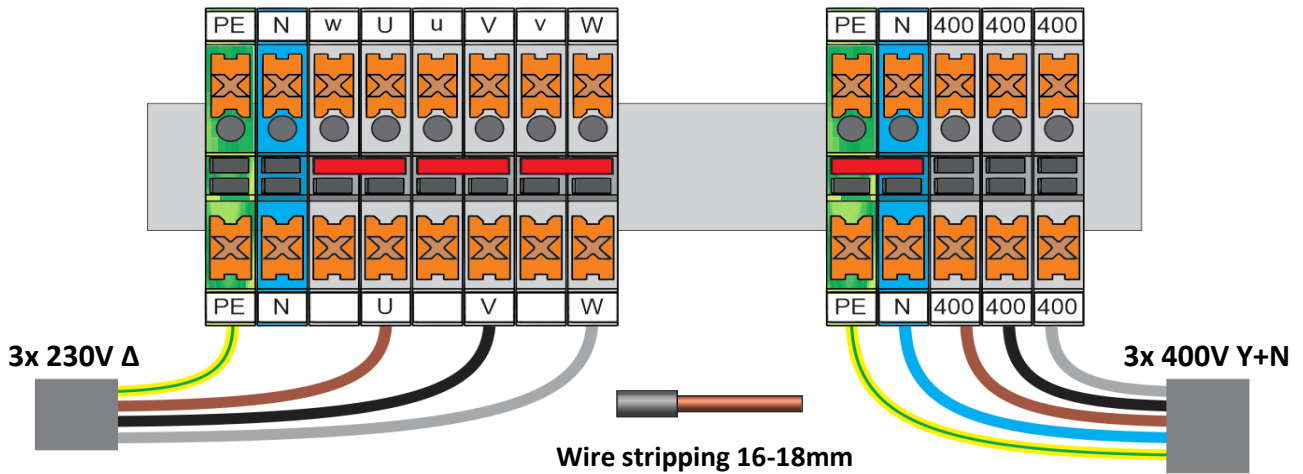
Dimensions/weight

| | |
|------------------|----------------|
| Dimensions AxBxC | 420x240x365 mm |
| Dimension D | 280 mm |
| Dimension E | 193 mm |
| Dimension Φ | 11 mm |
| Weight | 110 kg |



Connection diagram PVT10000/IRC

3x 230V Δ → 3x 400V Y+N (Dy11)



Mount three jumpers
for primary 3x 230V operation

(Required jumpers are included)



Remove jumper for
IT earthing system

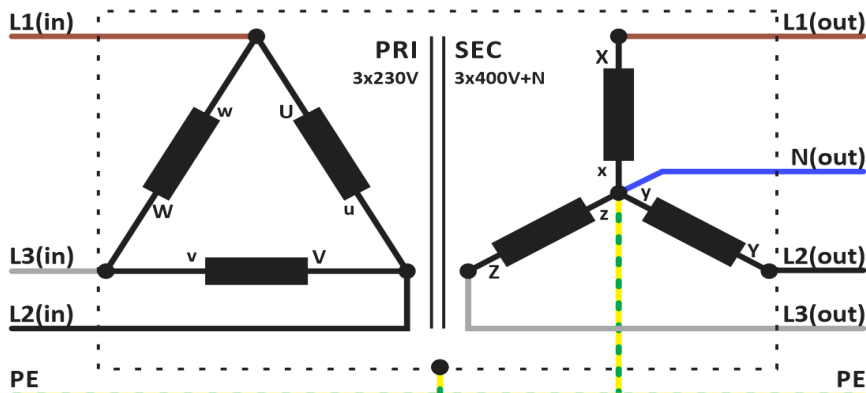


Place jumper for
TT- or TN earthing systems

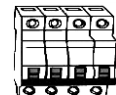
Recommended
fuse PRI



3P C25A



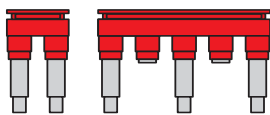
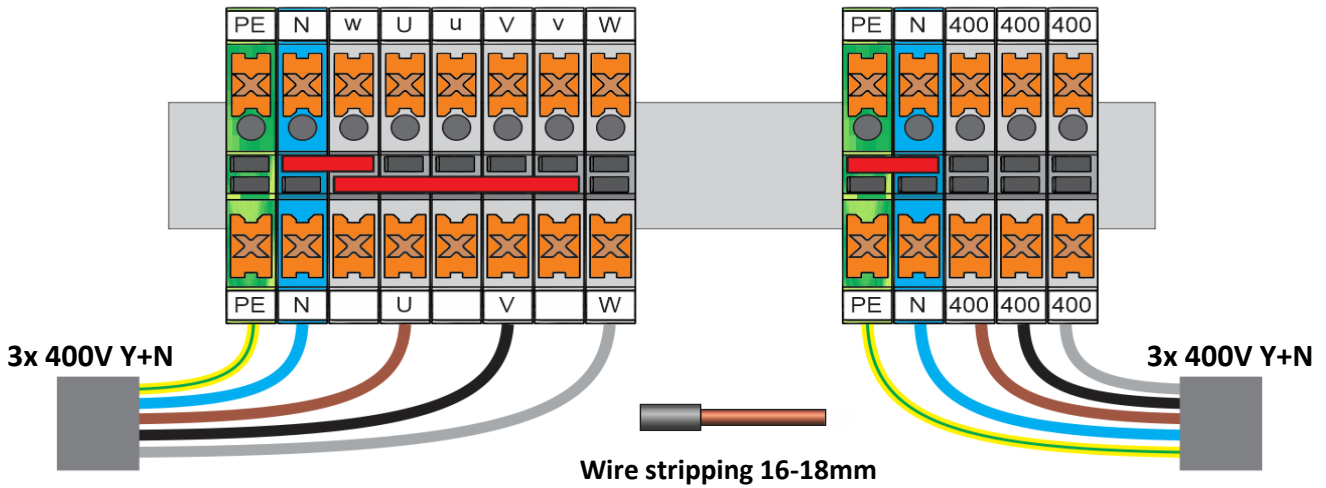
Recommended
fuse SEC



4P C16A

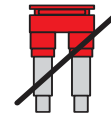
Connection diagram PVT10000/IRC

3x 400V Y+N → 3x 400V Y+N (Yy0)



Mount both jumpers
for primary 3x 400V operation

(Required jumpers are included)

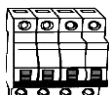


Remove jumper for
IT earthing system

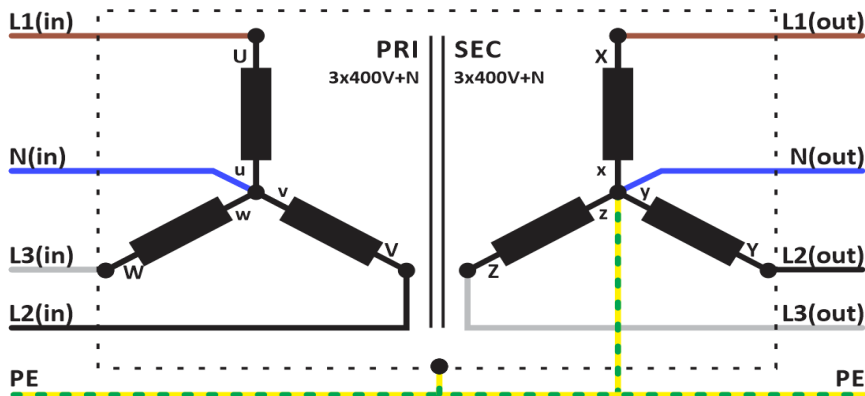


Place jumper for
TT- or TN earthing systems

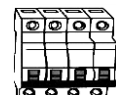
Recommended
fuse PRI



4P C16A



Recommended
fuse SEC

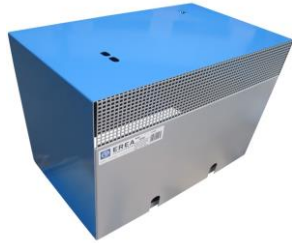


4P C16A



Accessories PVT10000/IRC

IP20 housing



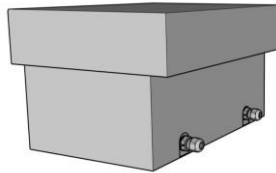
K20PVT/010

IP23 housing



K23PVT/010

IP44 housing



K44EI400/010



rev. 21.02.2023